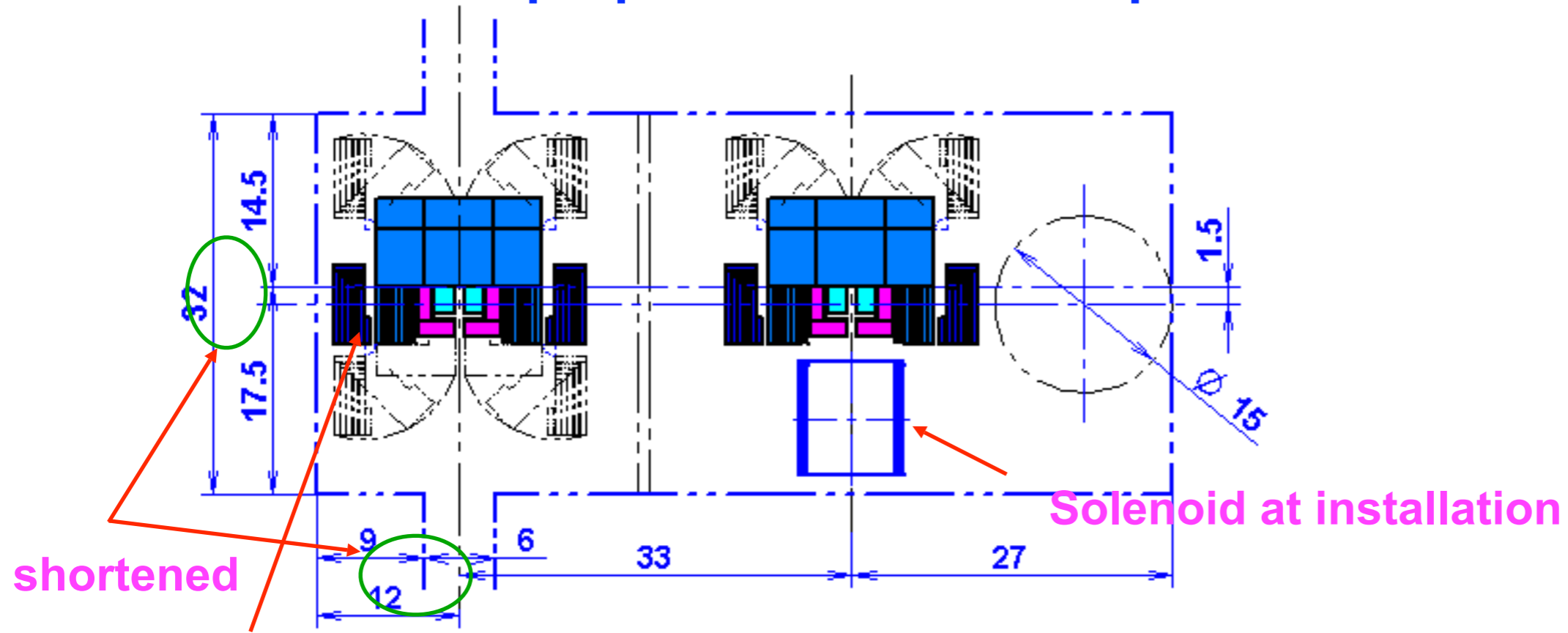
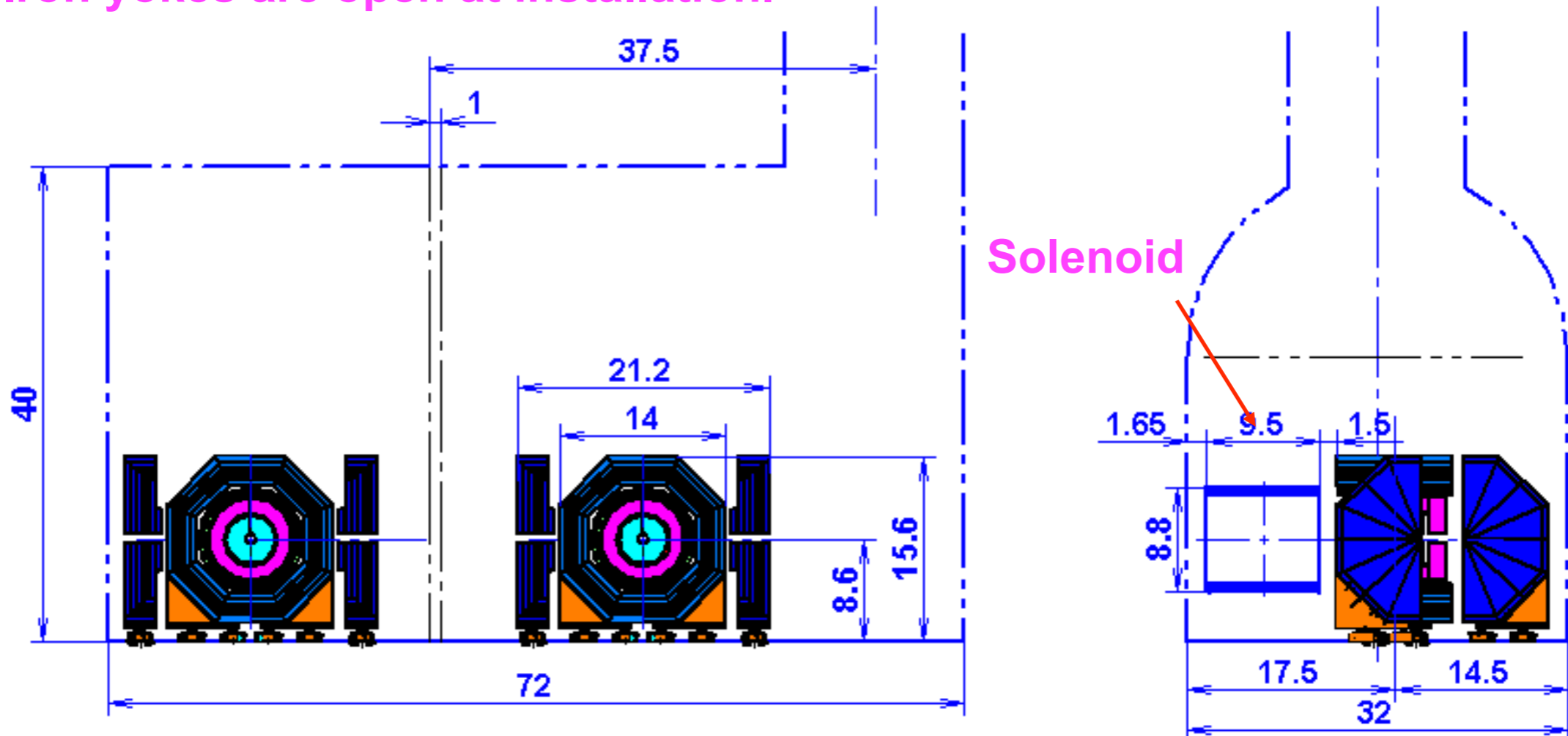


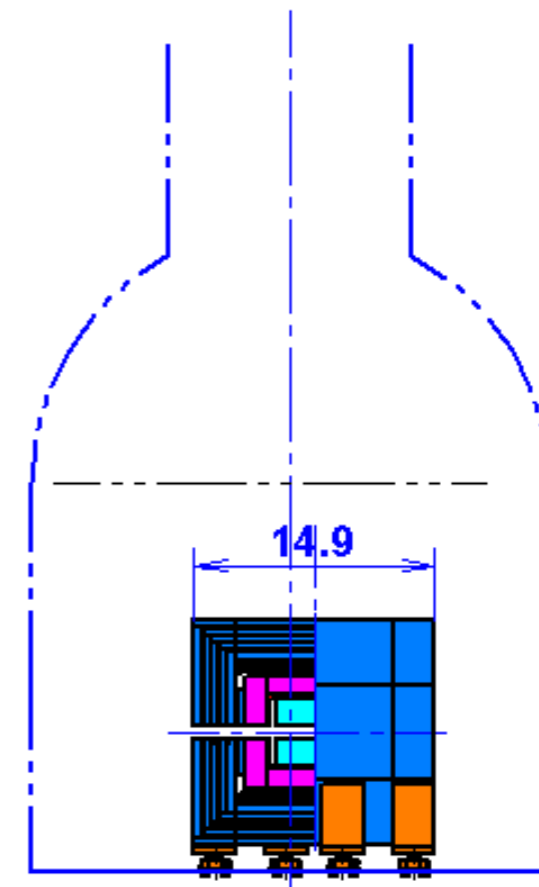
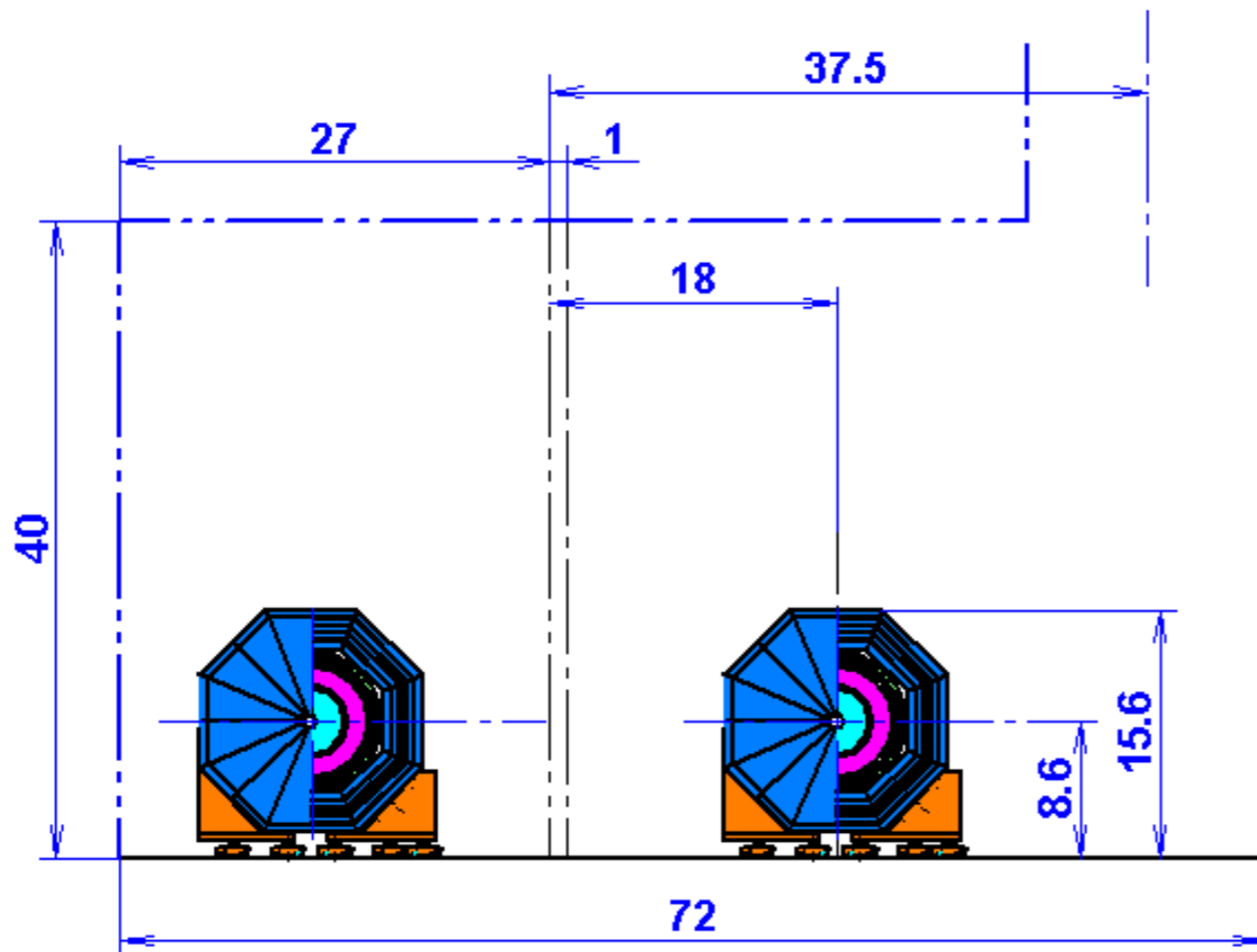
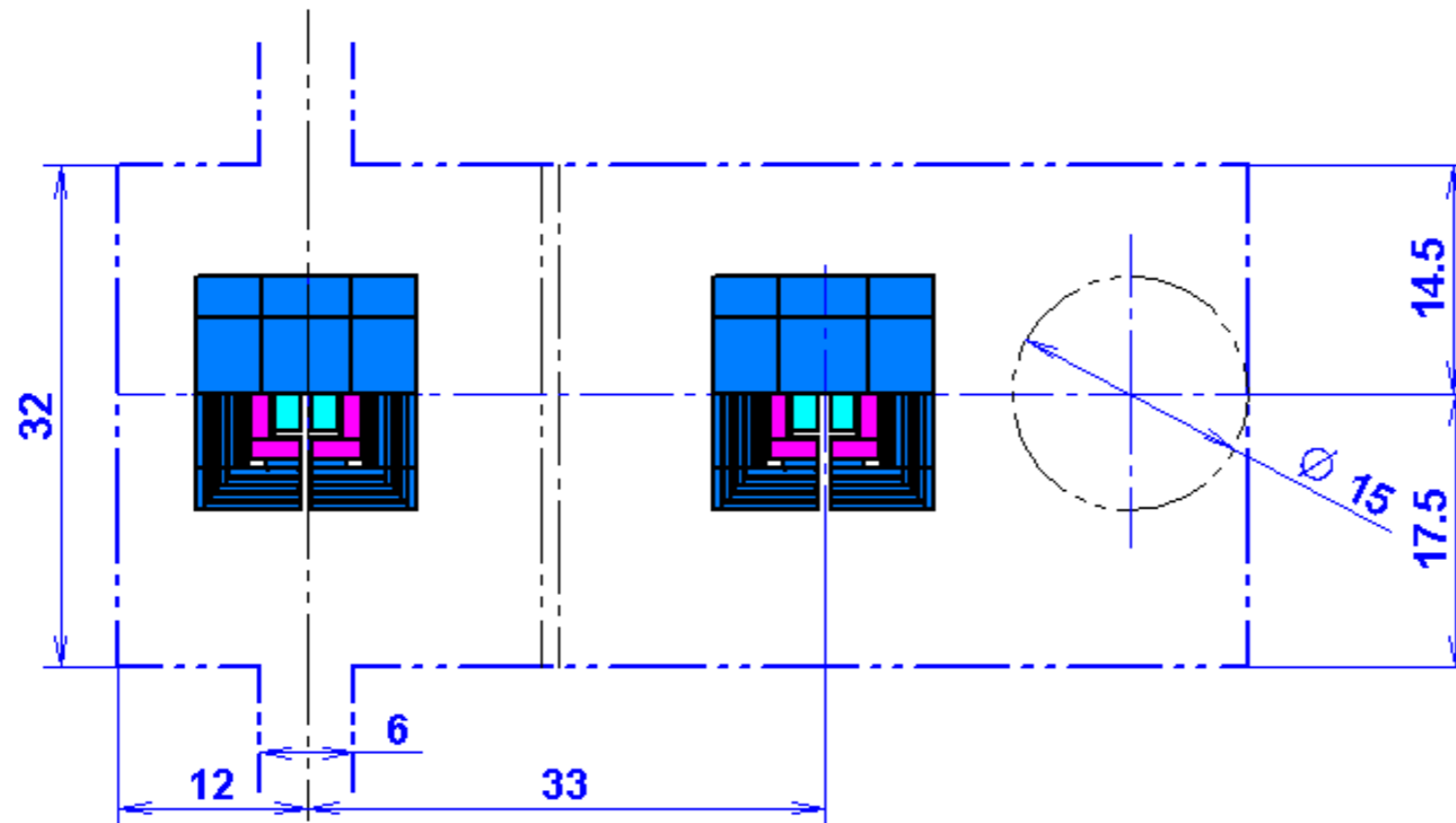
New proposal for smaller experimental hall



Iron yokes are open at installation.



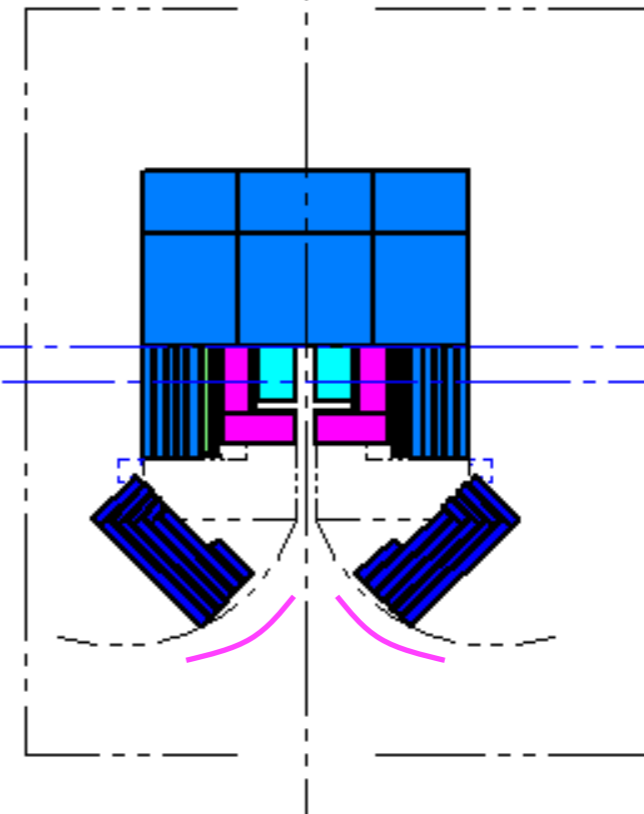
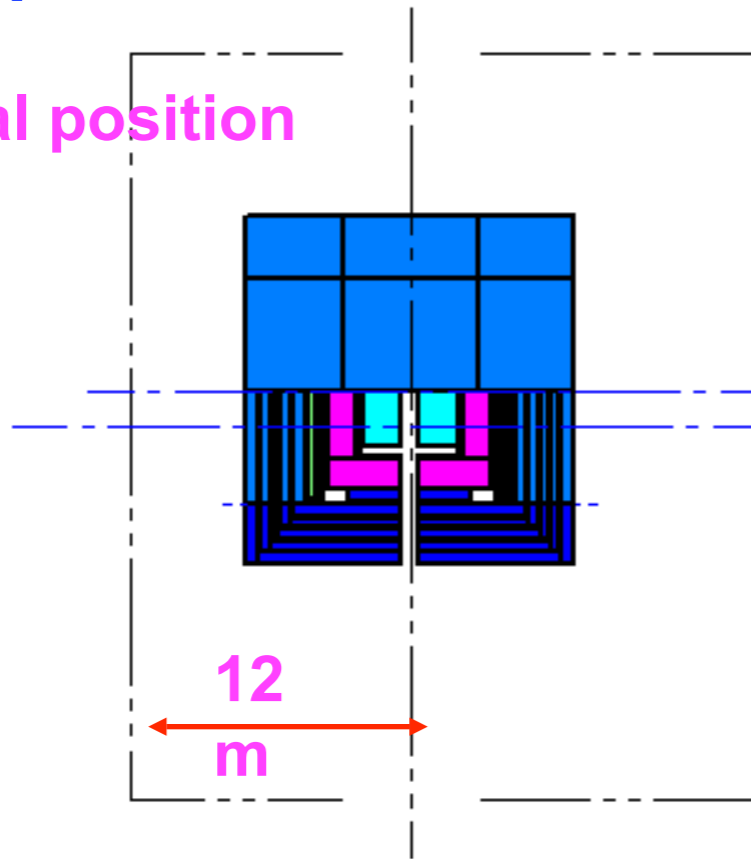
GLD Detector Position at beam line and at the end of assembling



Opening operation of the end iron yoke

The yoke is opened by rotation.

Normal position



Two yokes are opened.

GLD is moved along the beam line for access inside it.

