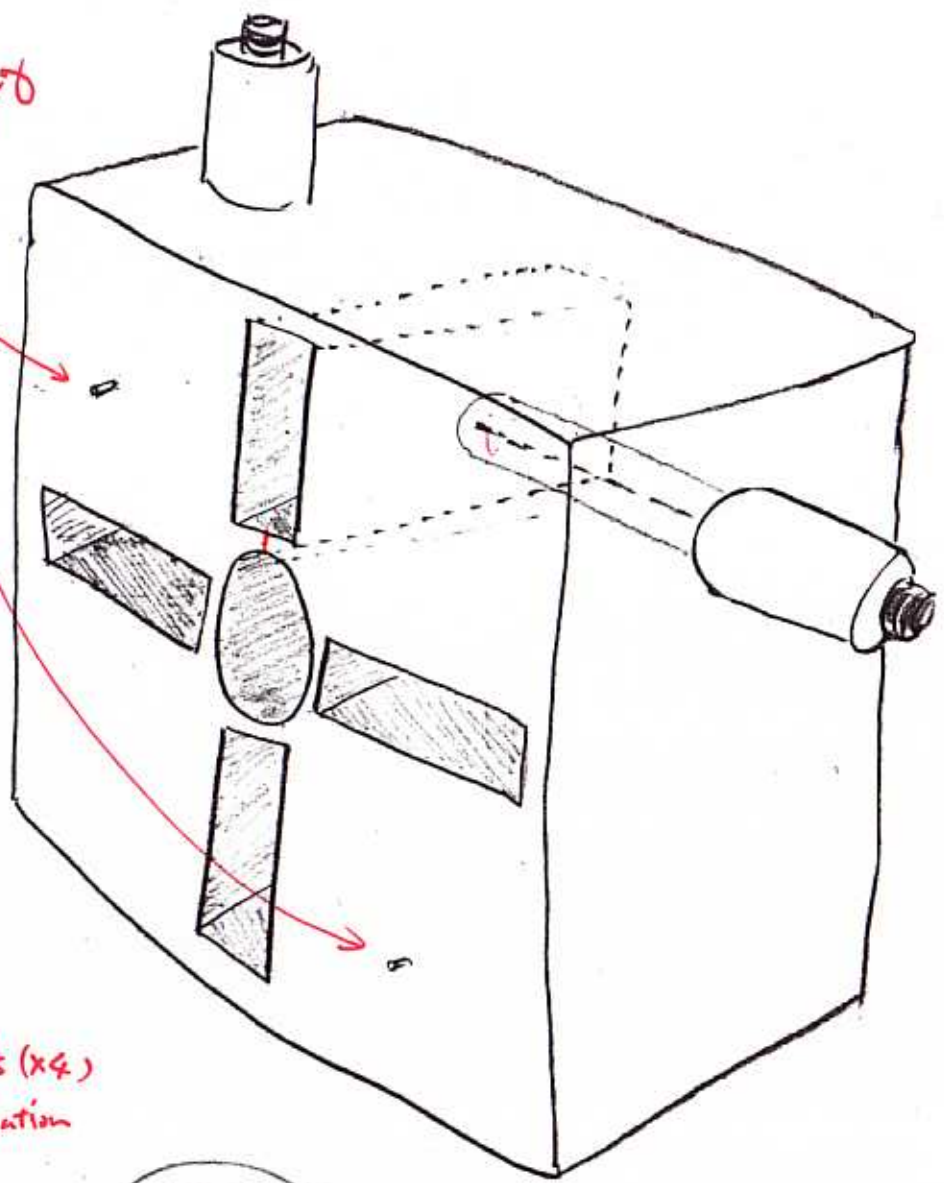
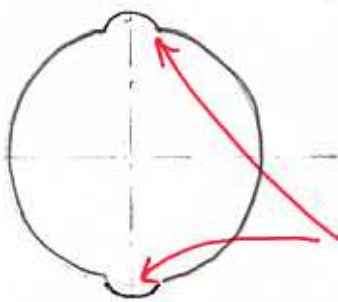


reference planes for alignment

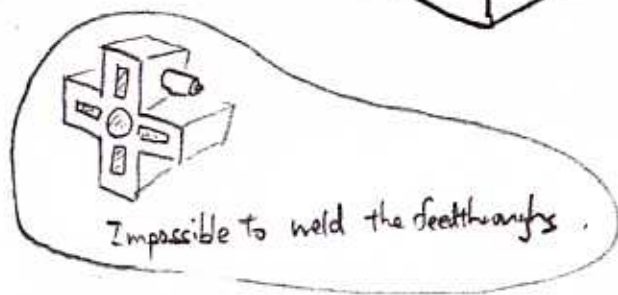
pins of positioning



tuning points (x4) post fabrication



dents to introduce X-T asymmetry ~ a few MHz freq. diff.



Impossible to weld the feedthroughs.