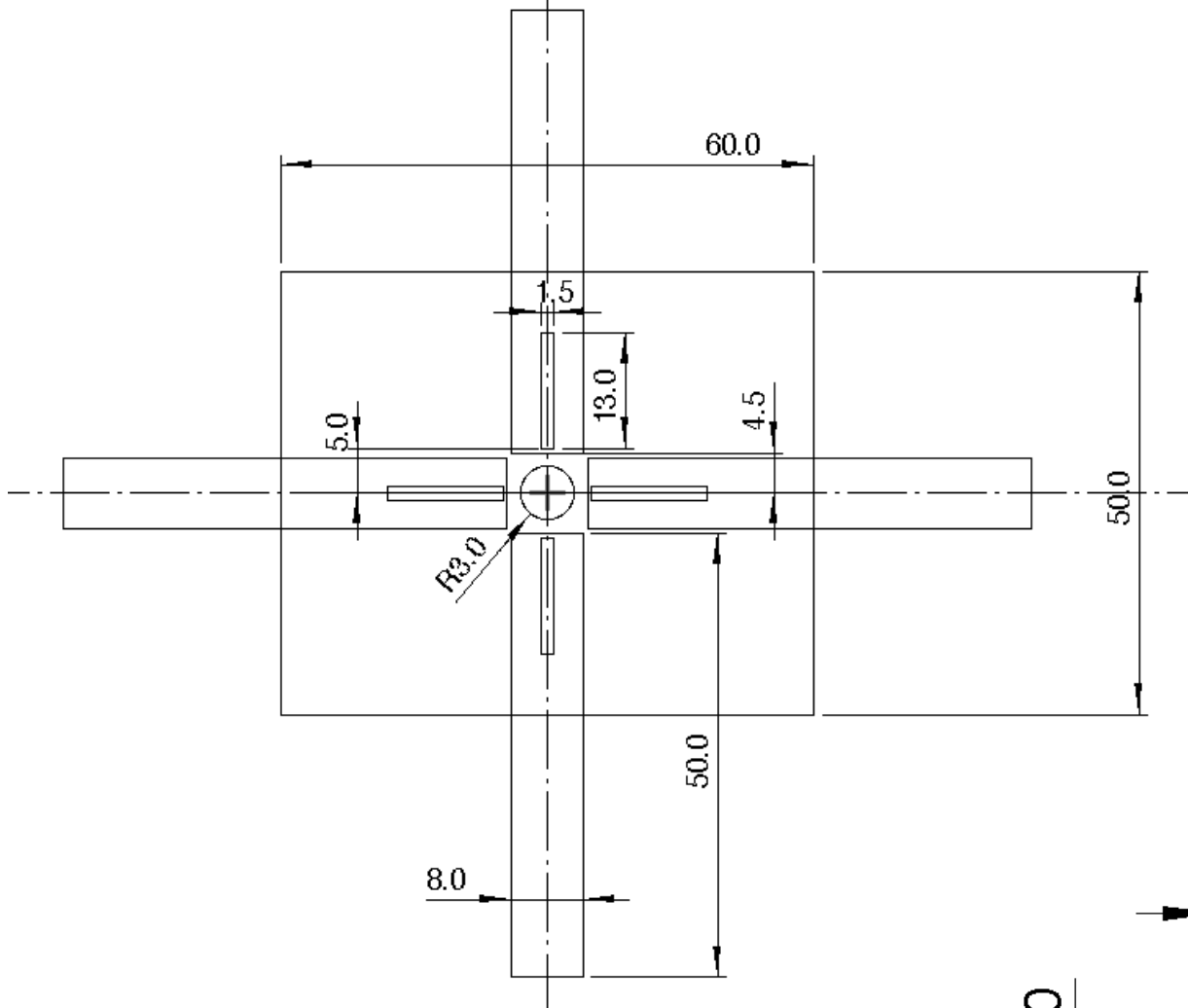
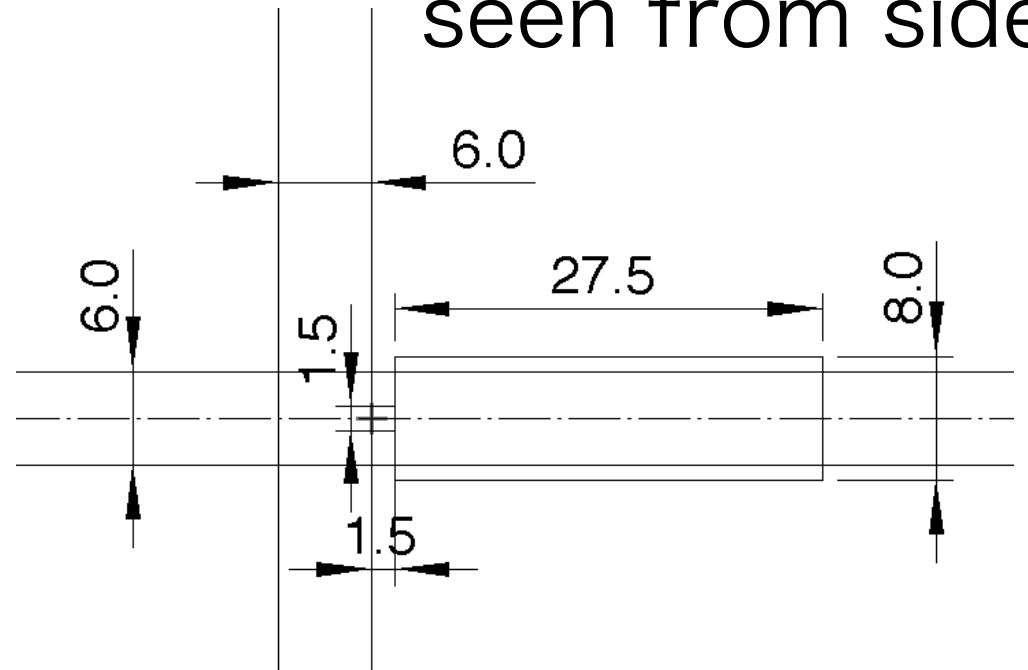


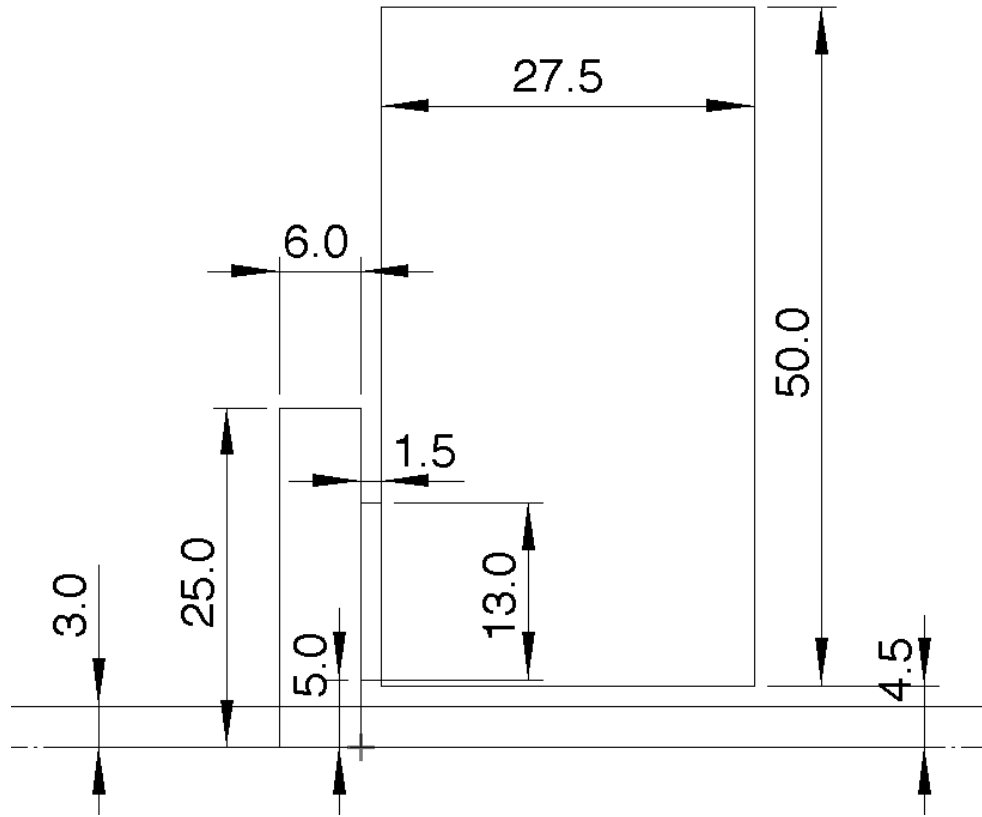
seen from beam axis



wave guide
seen from side



seen from x side



seen from y side

